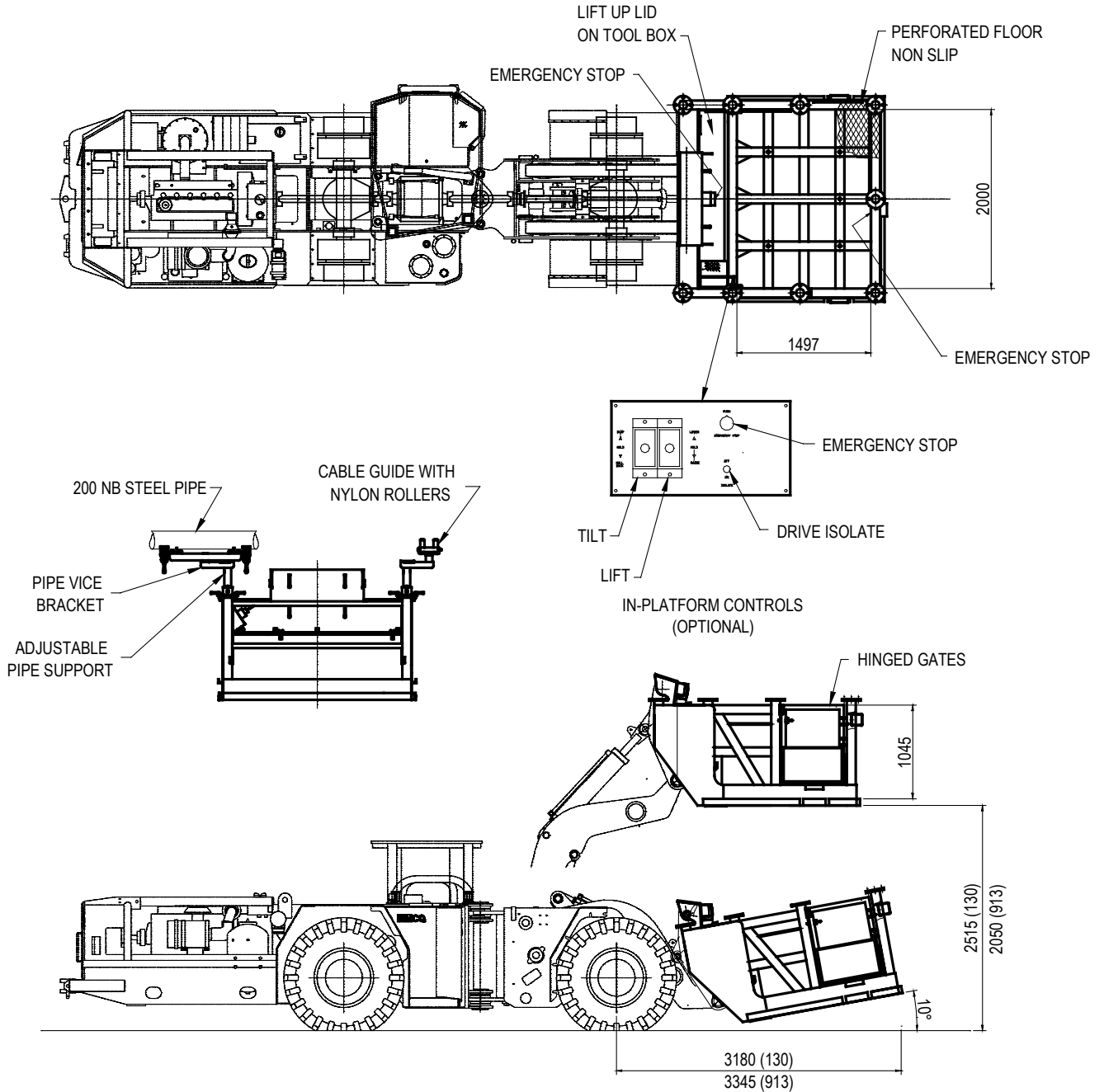


## QDS WORK PLATFORM 3.5 tonne SWL, INCLINED TO SUIT 913, 130 & ED10 LHD's

DATA SHEET: A2U900-850076 Rev.: 0

Date: 31-03-2003 Page 1 of 2



**DIMENSIONS ARE APPROXIMATE AND APPLY ONLY TO STANDARD MACHINES**

## QDS WORK PLATFORM 3.5 tonne SWL, INCLINED TO SUIT 913 & 130 LHD's

DATA SHEET: A2U900-850076 Rev.: 0

Date: 7/6/2001 Page 2 of 2

### MAXIMUM LOAD:

3.5 tonnes including men and materials (**Eimco 130 & ED10**)

700 kg including men and materials (**Eimco 913 only**)

Cable handler: 175kg SWL

### PLATFORM MASS:

1,525 kg

### SAFETY FEATURES:

- Non Slip Floor
- Emergency Exit Ladder
- Full Railing Protection
- Pipe and Cable Handling devices eliminating back strain

### COMPLIANCE:

- Complies with AS1418.10 except for ability to lower following power failure.

### OPERATOR FUNCTIONS (Remote Hydraulic Operation Only):

- Lift function
- Tilt function
- Emergency Stop function
- Driver Isolate function

### SYSTEM PRESSURE:

13.79 MPa (913 & 130)

17.5 MPa (ED10)

### SAFETY FEATURES (Remote Hydraulic Operation Only):

- Driver Isolate Switch
  - Applies Park Brake
  - Selects Neutral
  - Isolates Steering
  - Transfers Lift and Tilt Control to Platform
  - Sets Engine Speed to Optimum

## WARNING

Overloading of lifting equipment may cause personal injury, death or property damage.  
Due to configuration changes or options requested, weights stated above can vary by up to 20%.

### SPECIFICATIONS SUBJECT TO CHANGE WITHOUT NOTICE

#### Copyright

The drawings, information and graphics contained in this document are and shall always remain the property of VA Eimco Australia Pty Limited, and shall not be made public or used directly or indirectly in any way detrimental to our interests. No person shall amend or alter the contents or format of this document in any way without written permission from VA Eimco Australia Pty Limited. However, where permission is granted, VA Eimco Australia Pty Limited will not take responsibility for the accuracy of any text, graphics or parts thereof extracted or cut from this document and inserted into any other form or source.

#### Disclaimer

VA Eimco Australia Pty Limited expressly disclaim all and any liability to any person, whether a purchaser of this document or not, in respect of anything and or the consequences of anything done or omitted to be done by any such person in reliance, whether whole or partial upon the whole or any part of the contents of this document.

A Sandvik company