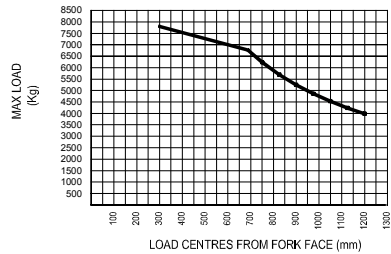
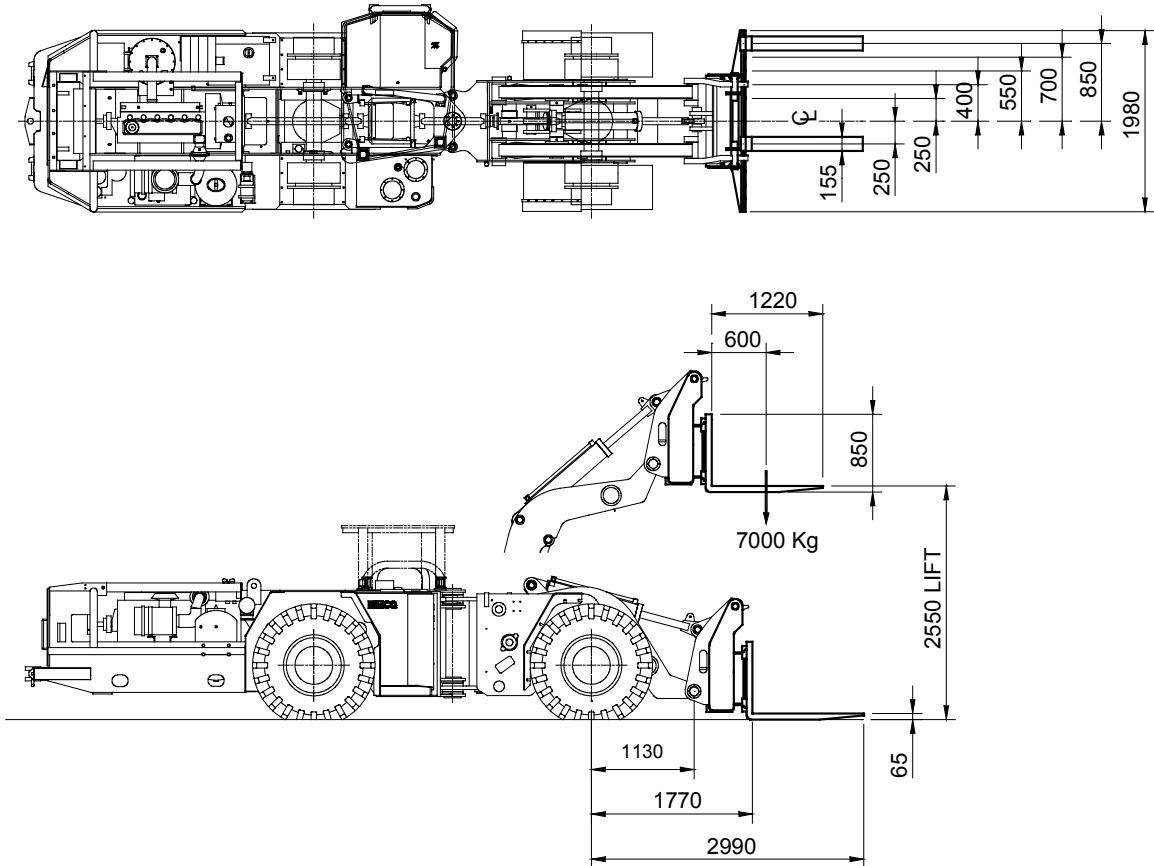


## QDS FORKS TO SUIT 130 LHD

DATA SHEET: A2U130-850041 Rev.: 2

Date: 25/11/2000 Page 1 of 1



QDS FORK ATTACHMENT MASS: 1100kg

**DIMENSIONS ARE APPROXIMATE AND APPLY ONLY TO STANDARD MACHINES**

### WARNING

Overloading of lifting equipment may cause personal injury, death or property damage. Due to configuration changes or options requested, weights stated above can vary by up to 20%.

SPECIFICATIONS SUBJECT TO CHANGE WITHOUT NOTICE

A Sandvik company