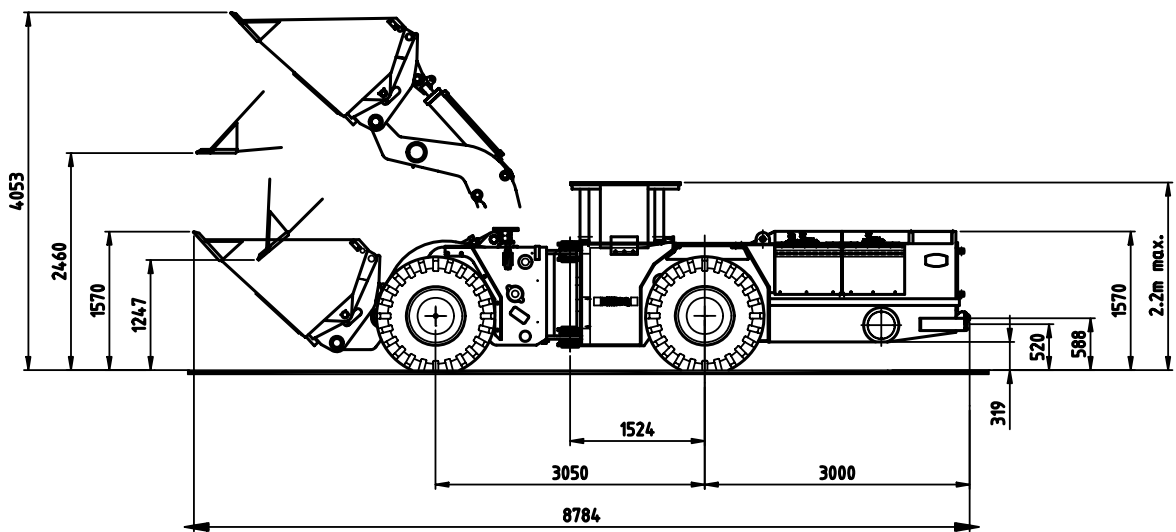
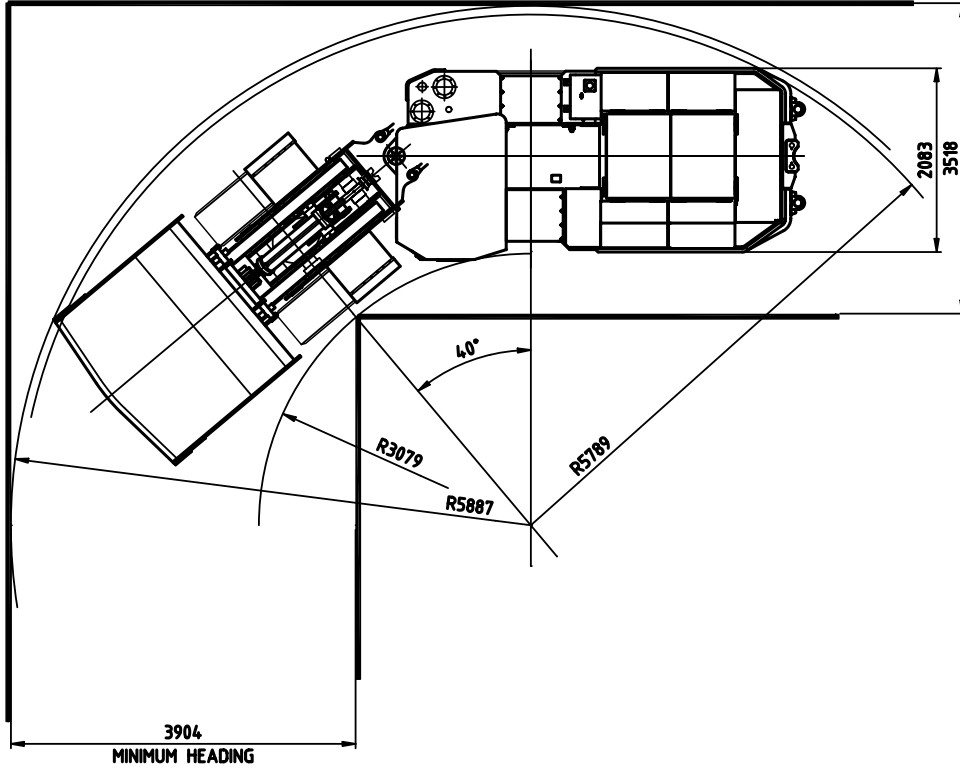


## ED7 LHD FLAMEPROOF CATERPILLAR 3126 DITA ENGINE

DATA SHEET: A2U130-850096 Rev.: 6

Date: 24-05-2005 Page 1 of 4



DIMENSIONS ARE APPROXIMATE AND APPLY ONLY TO STANDARD MACHINES

## ED7 LHD FLAMEPROOF CATERPILLAR 3126 DITA ENGINE

DATA SHEET: A2U130-850096 Rev.: 6

Date: 24-05-2005 Page 2 of 4

### CAPACITIES

Payload ..... 7000 kg  
**Standard Bucket**  
Heaped Capacity (SAE)..... 2.73m<sup>3</sup>  
Struck Capacity..... 2.22m<sup>3</sup>  
(Other buckets available, consult factory)

### SERVICE CAPACITIES

Hydraulic Tank..... 267 litres  
Fuel Tank..... 200 litres  
Transmission/Converter Oil ..... 20.8 litres  
Engine Crankcase Oil..... 28 litres  
Differential..... 15.9 litres  
Axle Oil..... 28 litres ea  
Water Scrubber/Make Up Tank..... 343 litres

### WEIGHT

Operating (Including Canopy)..... 19,180 kg  
Ground Pressures  
Loader End ..... 495 kPa  
Power Module..... 280 kPa

### ENGINE

Type ..... Diesel, Water Cooled, Direct Injection, Turbo  
..... Charged Jacket Water Aftercooled  
Make/Model ..... Caterpillar 3126 DITA  
Displacement..... 7.24 litre  
Maximum Power ..... 171.5 kW @ 2600 RPM  
Max Torque @ RPM..... 736 Nm @ 1900 RPM  
Starting Motor Type ..... Air

### Engine Speeds

Low Idle..... 800 RPM  
High Idle..... 2600 RPM  
Full load RPM ..... 2400 RPM

### Stall Speeds

Converter Stall ..... 2470 RPM  
Full Stall ..... 2130 RPM

### Fuel Consumption

@ Full Power ..... 44.6 l/hr

### Intake System

Type..... Dry Paper with Dual Elements  
Make ..... Donaldson

### Exhaust System

Type..... Flameproof Water Bath Conditioner  
Make ..... Eimco

### Particulate Filter

Elements ..... MicroFresh  
Quantity..... 3  
(Optional Outside Of NSW Only)

### POWER TRAIN

#### Transmission

Type..... Powershift with Fwd/Rev Modulation  
Make/Model ..... Clark R32421  
Speeds Fwd & Rev ..... 4  
Gear Ratios..... 4.64, 2.23, 1.29, 0.75

#### Torque Converter

Type..... Single Element  
Make/Model ..... Clark C320  
Stall Ratio ..... 2.160:1  
Offset Ratio..... 1.13:1  
Pump Drive Ratio..... 1.135:1

#### Axles

Type..... Planetary  
Make/Model ..... Clark 16D2149  
Differential Type/Ratio ..... Front Limited Slip 5.286:1  
..... Rear Limited Slip 5.286:1  
Planetary Ratio ..... 4.941:1  
Overall Ratio ..... 26.118:1

#### Wheels

Wheel Nut Torque..... 610 Nm

#### Tyres

Type (Standard)..... L3 R-LUG  
Size..... 17.5" x 25"  
Ply Rating ..... 20  
Inflation Pressure..... Front 420 kPa  
..... Rear 280 kPa

Optional ..... Michelin XMINED2

#### Tractive Effort (Theoretical)

1<sup>st</sup> gear (maximum)..... 17 655 kg  
2<sup>nd</sup> gear (maximum)..... 8 845 kg  
3<sup>rd</sup> gear (maximum)..... 5 005 kg  
4<sup>th</sup> gear (maximum)..... 2 898 kg  
Maximum (limited by machine weight) ..... 13 500 kg

### OSCILLATION

Type..... Rear Axle Cradle  
Bearing..... Bronze  
Degrees Up and Down from Horiz..... 10°

### ARTICULATION

#### Bearing

Type and Size..... Spherically Self Aligning  
..... 89 mm Bore  
Bearing Material..... Hardened Steel  
Pin Material..... Hardened Steel  
Degrees of Turn Either Side ..... 42.5°

## ED7 LHD FLAMEPROOF CATERPILLAR 3126 DITA ENGINE

DATA SHEET: A2U130-850096 Rev.: 5

Date: 26/11/2004 Page 3 of 4

### SEATING

Type ..... Cross Seated Suspension Seat

### CANOPY (Optional)

Integral Protective Device ..... 1750 mm

#### R.O.P.S

High Collapsible ..... 1900 mm

Low Collapsible ..... 1750-1810 mm

#### F.O.P.S

Standard ..... 2000-2200 mm

Other ..... 2140 mm

### HYDRAULIC SYSTEM

#### Circuits

##### Steering/Brakes

Type ..... Closed Centre  
Pressure ..... 17.2 Mpa

##### Bucket

Type ..... Open Centre  
Pressure ..... 13.8 MPa

Supply ..... Sealed & Pressurised Tank

#### Filtration

Suction ..... 100 Mesh Strainer, Magnetic, Washable

Return ..... In Tank, 10 micron Replaceable Element

Pressure ..... In Line, 6 micron Replaceable Element

#### Pumps

##### Steering/Brakes

Type ..... Pressure Compensated Piston  
Make ..... Eaton  
Output @ 2000 engine RPM ..... 67 l/min

##### Bucket

Type ..... Gear  
Make ..... Commercial  
Output @ 2000 engine RPM ..... 234 l/min

#### Cylinders

Double Acting "V" Style Piston and

"U" Cup Style Rod Packing

Rods are Case Hardened and Hard Chromed

Bore x Stroke x Rod Diameter

Steering ..... 89 x 406 x 51 mm

Lift ..... 165 x 584 x 76 mm

Dump (Tilt) ..... 165 x 794 x 76 mm

Eject ..... 127 x 285 x 54 mm

#### Steering System

Type ..... Centre Articulated, Hydraulic  
with Accumulator Reserve

Control Valve ..... Closed Centre

Actuation ..... Orbital

Cylinder Relief ..... 15.2 MPa

#### Accumulators

Type ..... Piston, Nitrogen Charged

Quantity/Capacity ..... 1/4 litre

Precharge Pressure ..... 5.5 Mpa

#### Bucket System

Control Valve ..... Open Centre

Actuation ..... Hydraulic Pilot Operated

#### Cylinder System

Lift Arm Raise ..... 15.2 Mpa

Lift Arm Lower ..... 15.2 Mpa

Bucket Roll Back ..... 15.2 Mpa

Bucket Dump ..... 15.2 Mpa

#### Pilot Control

Source ..... Brake Circuit  
Pressure ..... 3.15 Mpa

#### Service Brake System

Control Valve ..... Reverse Modulating  
Actuation ..... Foot Pedal

Brake Head Operating Pressure ..... 11.7-0 Mpa

#### Accumulators

Type ..... Piston, Nitrogen Charged

Quantity/Capacity ..... 1/1 litre

Operation Precharge Pressure ..... 5.5 Mpa

#### Park Brake System

Control Valve ..... 3 Way

Actuation ..... Push Button

Minimum Release Pressure ..... 9.3 Mpa

### BRAKES

#### Service

Type ..... Wet Disc

Make ..... Clark

Application ..... Spring Applied, Hydraulically Released

Location ..... Each Wheel

#### Park

Type ..... Totally Enclosed, Liquid Cooled

Make ..... Clark

Application ..... Spring Applied, Hydraulically Released

Location ..... Each Wheel

### AIR SYSTEM

Air Receiver - Gear Driven Off Engine

Governed Pressure ..... 860 kPa

Relief Pressure ..... 1034 kPa

Air Receiver Capacity ..... 90 litres

### ELECTRICAL SYSTEM

Type ..... Approved Flameproof

Voltage ..... 12V

Lights ..... 2 Front, 2 Rear

Type ..... Customer Preference

Alternator ..... Hydraulic Drive

Type ..... Customer Preference

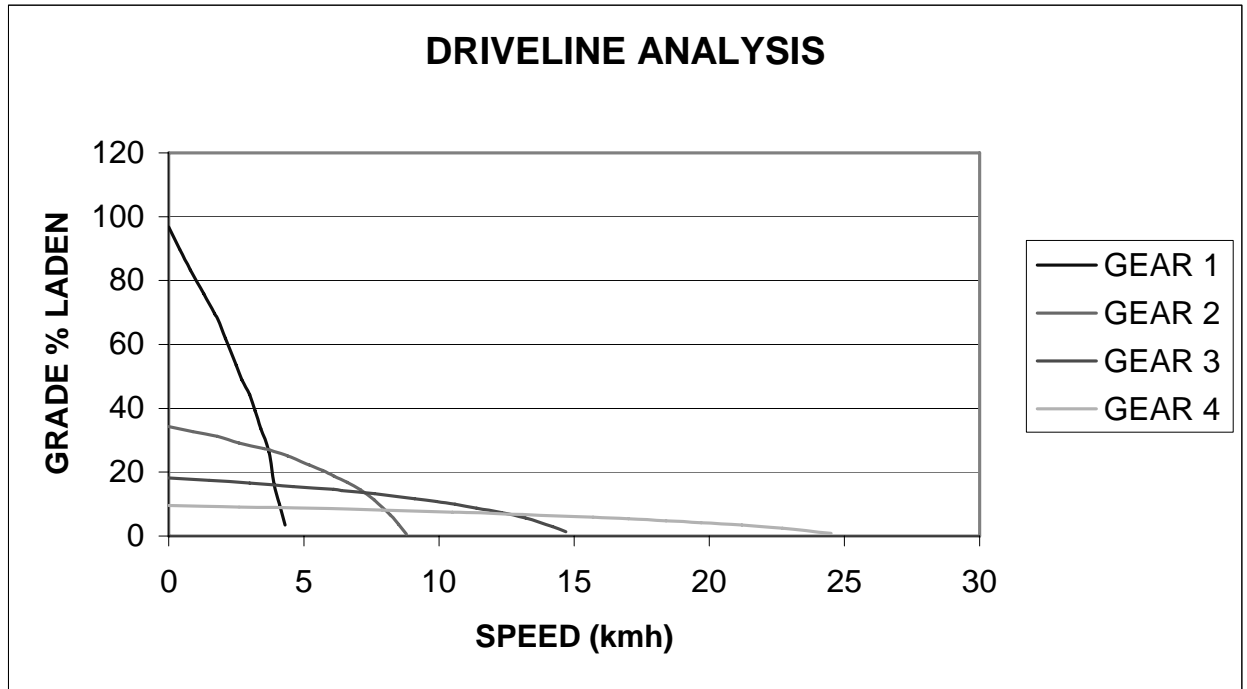
Approved Flameproof

## ED7 LHD FLAMEPROOF CATERPILLAR 3126 DITA ENGINE

DATA SHEET: A2U130-850096 Rev.: 6

Date: 24-05-2005 Page 4 of 4

### GRADEABILITY



### WARNING

Overloading of lifting equipment may cause personal injury, death or property damage. Due to configuration changes or options requested, weights stated above can vary by up to 20%. VA Eimco recommend that the safe working load for this machine is the minimum sling capacity of either those required by government regulation, safety practices or laws in effect at the customers location. Removal of a protective structure could cause serious injury or death. Replacement with correctly torqued Grade 8 fasteners is mandatory.

**SPECIFICATIONS SUBJECT TO CHANGE WITHOUT NOTICE**