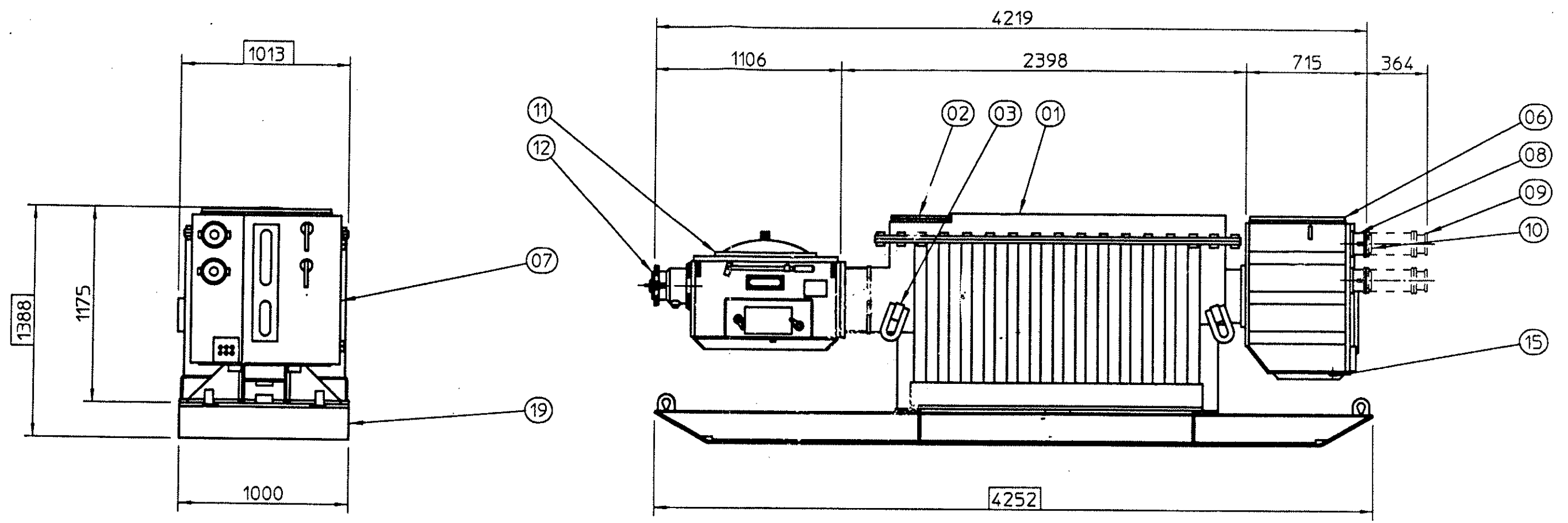


1:1 0 50 1:15 0 50 1:25 0 100

DRG No. D 6710481

IF IN DOUBT ASK



AS REQD	DESCRIPTION OF NUMBERED ITEMS
01	TRANSFORMER
02	HV TAPPING ACCESS COVER
03	LIFTING LUGS
04	
05	
06	LV END FITTING
07	LV CHAMBER HINGED DOOR WITH WINDOW FOR LAMPS AND METERS
08	LV STRAIGHT ADAPTORS
09	LV HALF COUPLERS
10	FLP BLANK PLATES
11	HV END FITTING
12	HV ADAPTOR
13	HV HALF COUPLERS
14	FLP BLANK PLATE
15	EARTH TERMINAL
16	
17	
18	
19	SKID UNDERBASE
20	

PRIMARY VOLTAGE	10000
SECONDARY VOLTAGE	1050

OUTPUT	400 KVA
FREQUENCY	50 HZ
PHASE	3

DIMENSIONS FOR TRANSPORT SHOWN THIS

	ESTIMATED WEIGHTS	KG
CORE AND COILS		2241
TRANSFORMER COMPLETELY ASSEMBLED WITHOUT END FITTINGS		3716
TRANSFORMER COMPLETELY ASSEMBLED WITH END FITTINGS & UNDERBASE		5976

FLAMEPROOF CONTRACT NUMBER BT 78232

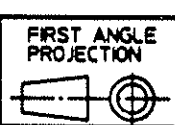
M/F	ISSUE	REV	NAME	DATE
04				
	10			
01				
00	06			

This drawing is the property of Brush Transformers Ltd. It is supplied on loan in confidence and must be returned immediately on request. No part of the drawing may be copied or reproduced in any way, nor may the information or design depicted be disclosed without the prior written consent of the owner. All rights reserved.

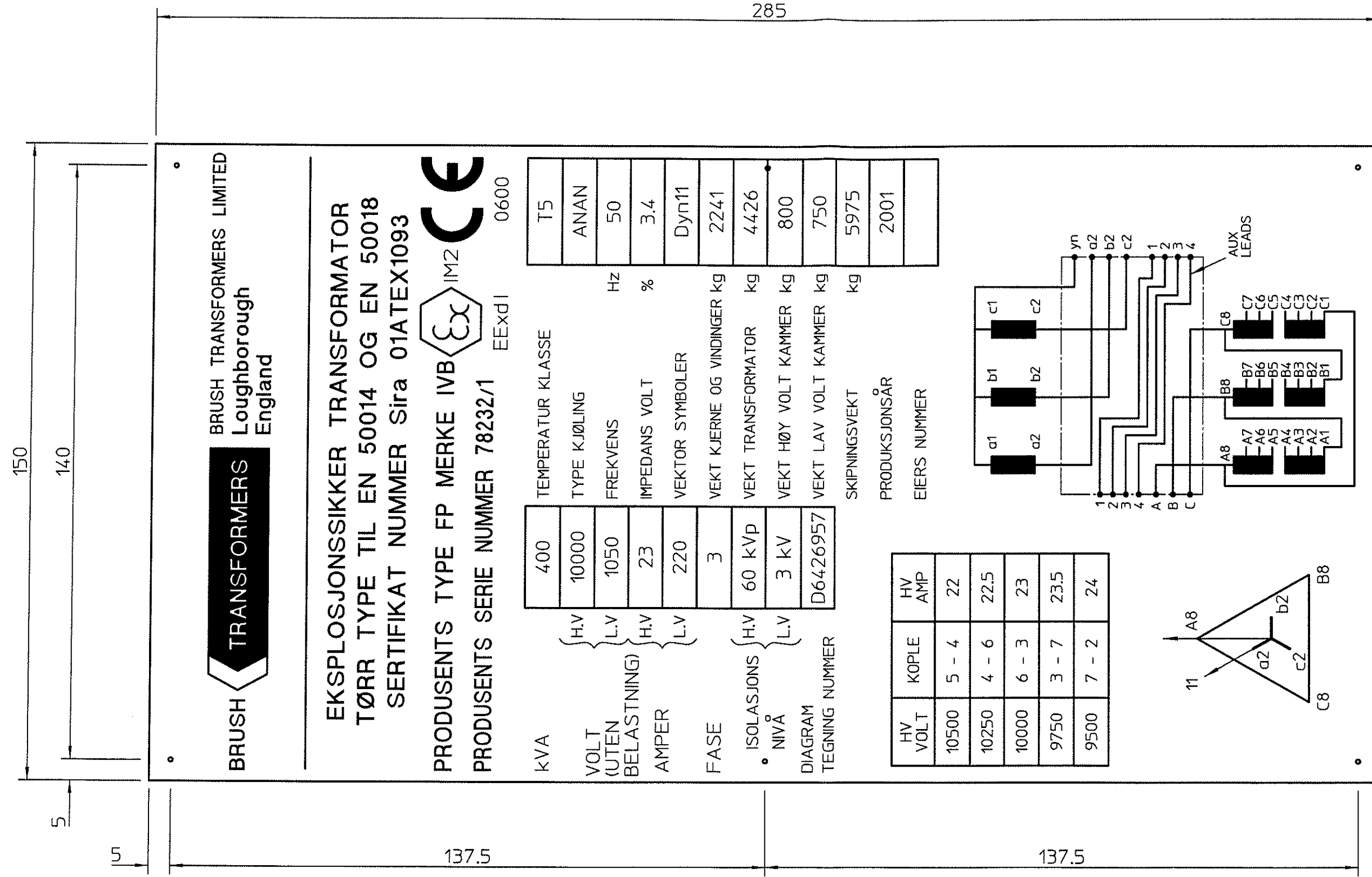
BRUSH TRANSFORMERS
 Tel: (01509) 611411
 Telefax: (01509) 610550
 Email: sales@bt.tki-eng.com

BRUSH TRANSFORMERS LIMITED, PO BOX 20,
 Loughborough, Leics. LE11 1HN, England © 2001

DIMENSIONS IN MM UNLESS OTHERWISE STATED
 WELDING TO PS 3001
 SURFACE TEXTURE TO BSD 986
 GENERAL TOLERANCES TO PS 3225



APPROVED	DRAWN BY
	PGRIMLEY
FLAMEPROOF EQUIPMENT	DATE
	20/03/01
A3 297 x 420	DRG No. D 6710481
SCALE 1/25	



6 HOLES 3 DIA POSITIONED AS SHOWN

MATERIAL: STAINLESS STEEL 0.9 THICK
ALL MARKINGS TO BE POSITIONED AS SHOWN
AND SUNK BLACK ON A MATT SURFACE

04			
01	10		
00	08		
M/F ISSUE	REV	NAME	DATE

This drawing is the property of Brush Transformers Ltd. It is supplied on loan in confidence and must be returned immediately on request. No part of the drawing may be copied or reproduced in any way, nor may the information or design depicted be disclosed without the prior written consent of the owner. All rights reserved.

BRUSH TRANSFORMERS
Tel: (01509) 611411
Telefax: (01509) 610550
Email: sales@bft.fki-eng.com

BRUSH TRANSFORMERS LIMITED, PO BOX 20,
Loughborough, Leics, LE11 1HN, England © 2001

DIMENSIONS IN MM UNLESS OTHERWISE STATED
WELDING TO PS 3001.
SURFACE TEXTURE TO BSD 986
GENERAL TOLERANCES TO PS 3225

FIRST ANGLE PROJECTION

DIAGRAM PLATE
NORWEGIAN

APPROVED
MTUSON
FLAMEPROOF EQUIPMENT

DRAWN BY
PGRIMLEY
DATE
19/03/01

A3
297 x 420
DRG No. D 6426957
SCALE 1/1

